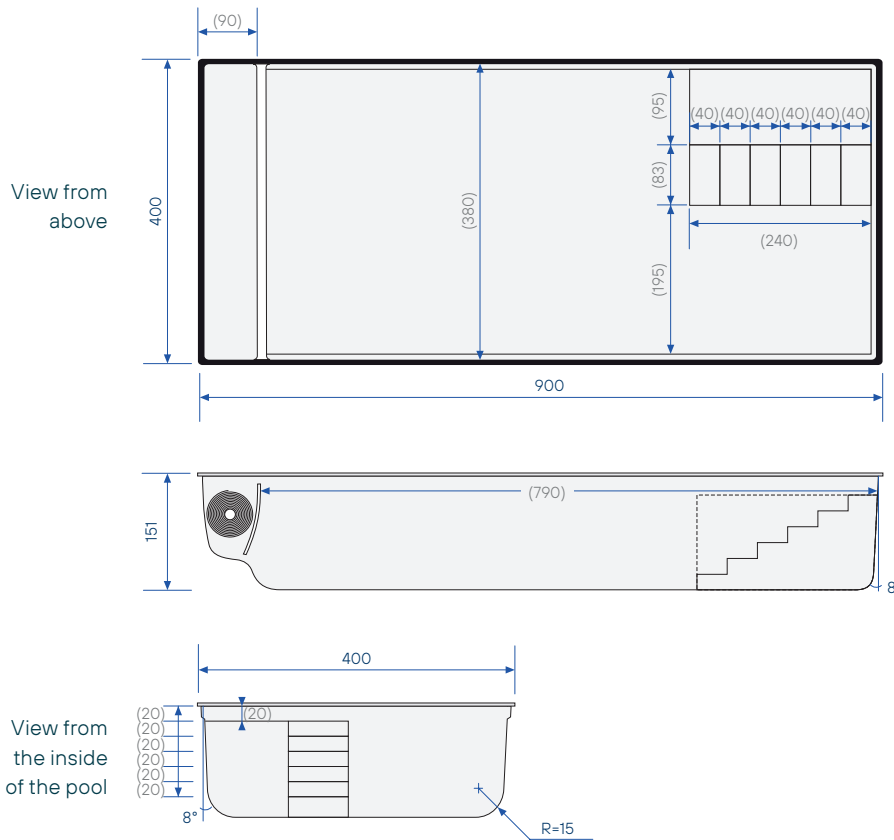


Commercial sizes	9,00 x 4,00 x 1,50m
Cover pit	Integrated, 90 cm
Water level	1,47 m
Weight incl. cover system	1 250 kg
Water volume	43 m³
Crane ¹	13 tons

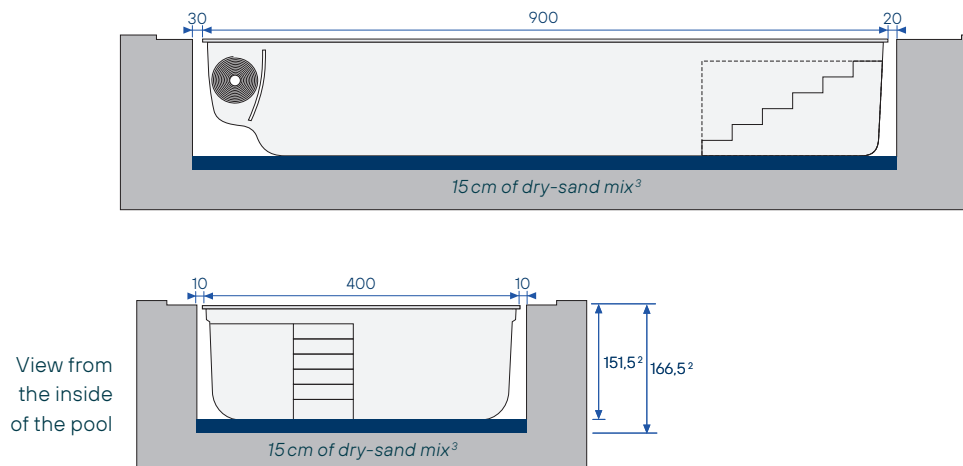


- ▼ **Standard lights**
can be placed on opposite side
- ⊙ **Suction connection**
- ⊙ **Drain**
always on the same side as the spots
- ➡ **Inlet**
can be placed on opposite side
➡ 2 additional inlets (optional)
⊙ Additional circulation (optional)
- ➡ Counter-current system (optional) ⁴

External (Internal) dimensions in cm – tolerance ± 2%



Digging sizes in cm – tolerance ± 2%



Note: the digging sizes do not take into account the necessary space for the coping stones.

¹ Needed for unloading & placing the pool. ² Depth taken from under the coping stone. ³ Mix of sand and cement, at a ratio of 250 kg per ton.

⁴ If combined with a counter current system, the position of inlets(s) may differ.